



ENERGY SAVING PRODUCTS

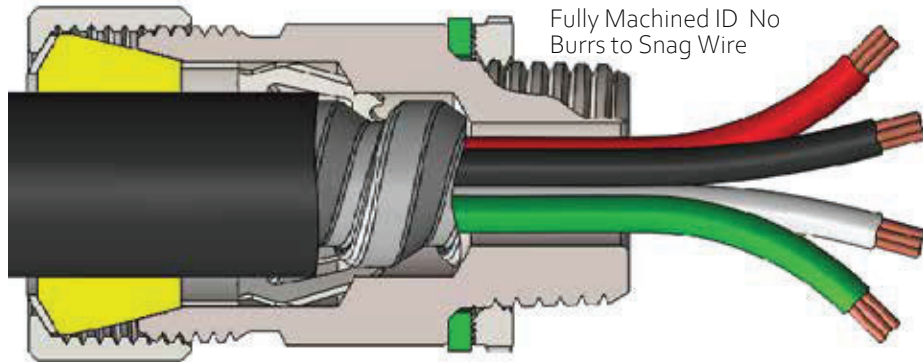
Part Number: TECK50

Application: 1/2" Mini Split Connector Fitting
Quickly and easily ground your shielded 14-4 mini split cable. Strongest and most durable fitting on the market today



Most times there is no need to disassemble fitting to install. The grommet factory installed is based on the most popular cable size.

Furnished with Color Coded Sized Grommets to Precisely Fit Your Cord



Fully Machined ID No Burrs to Snag Wire

The STRONGEST & MOST Durable AC MC Connector Made, Twice the Strength and Durability of ALL Die Cast & Malleable Iron Fittings

Alloy Steel Fully Machined Compression Nut Domed Top to Shed Liquids

Seals Tight & Right



Fully Machined Solid Alloy Steel Body

Steel Compression Ring and Santoprene Grommet

Unique Precise Grounding Ring Grabs and Retains With Strength Armored Cord

Furnished with Sealing Washer and Our HDI Locknut

Compliances:

- Certified Made in the USA
- UL 514B, 467
- NEMA Standard FB1
- Rated NEMA Types 2, 3, 3R, 3, 4X, 5, 12, 13
- NEC: Class I, Division 2
- Class II, Divisions 1 and 2; Class III, Divisions 1 and 2 Federal Standard A-A-50553
- UL Rated for Wet Locations Guaranteed to Seal Out Liquids, Contaminants & Ingress of Other Fluids
- Suitable for Direct Burial
- CSA Standard: C22.2 No. 18F
- RoHS Compliant
- REACH Compliant
- CA Prop 65 Compliant
- UNSPSC 39121419



Features:

- * Galvanized Plating Option is Available, Consult Factory
- Grommet Material is Santoprene UL TPV 94VO Rating FDA Approved; UV Resistant UL (f1) Rated
- Solid Alloy Steel Construction Fully Precision Machined Provides Full Torque Values to Avoid Conduit Pullout and Maintains Full Grounding
- Water Tight and Liquid Tight Suitable for Direct Burial Applications Suitable for Steel or Aluminum Cables

FAST-STAT

HVAC WIRING EXTENDER

Product Overview

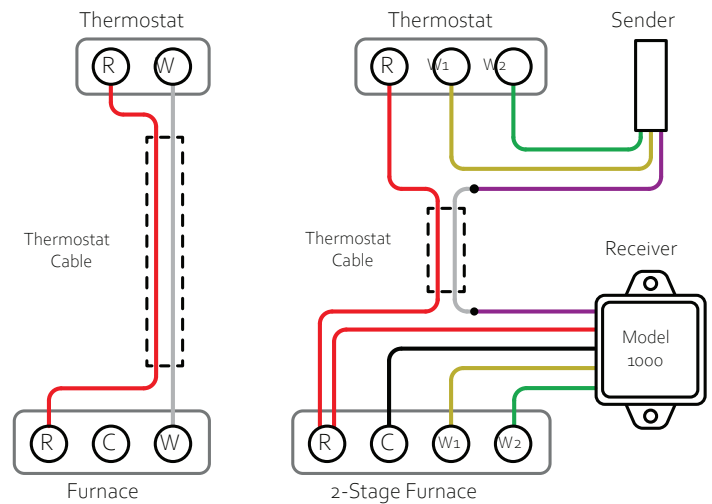
- Add or upgrade HVAC equipment without installing new wires
- Six models are available to cover a range of applications, including adding air conditioning to a heat-only system, upgrading to 2-stage heating or cooling, smart thermostats, cable repairs, heat pump retrofits, and more
- Compatible with all conventional HVAC equipment that uses R, C, W, Y, G, etc. terminals, or equipment that requires dry-contact switching

Each model contains a Sender and Receiver unit



The Sender is installed at the thermostat. The Receiver is installed at the HVAC equipment. They are connected together through the thermostat cable.

Example: Upgrading to a 2-Stage Furnace



Common Maker

Manufacturer #FSCMoo

- Adds a common 'C' connection for Wi-Fi and powered thermostats

Model 5000

Manufacturer #FS5000

- Adds a common 'C' connection and three control wires to a thermostat cable Used for upgrading a heat-only system to 2-stage heating and air conditioning

Model 1000

Manufacturer #FS1000

- Adds one control wire to a thermostat or condenser cable
- Used for adding 2-stage heating or air conditioning, cable repairs, and more

Model 7000

Manufacturer #FS7000

- For air conditioner to heat pump conversions. Extends the wiring between the thermostat, indoor unit, and heat pump (3-part kit)
- Allows all functions of a 2-stage heat pump to function over a 4-wire thermostat cable and 2-wire condenser cable

Model 3000

Manufacturer #FS3000

- Adds two control wires to a thermostat or condenser cable
- Typically used for adding air conditioning to a heat-only system

Model 9000

Manufacturer #FS9000

- For air conditioner to heat pump conversions. Extends the wiring between the indoor unit and heat pump (2-part kit) Allows all functions of a 2-stage heat pump to function over a 2-wire condenser cable