



ENERGY SAVING PRODUCTS

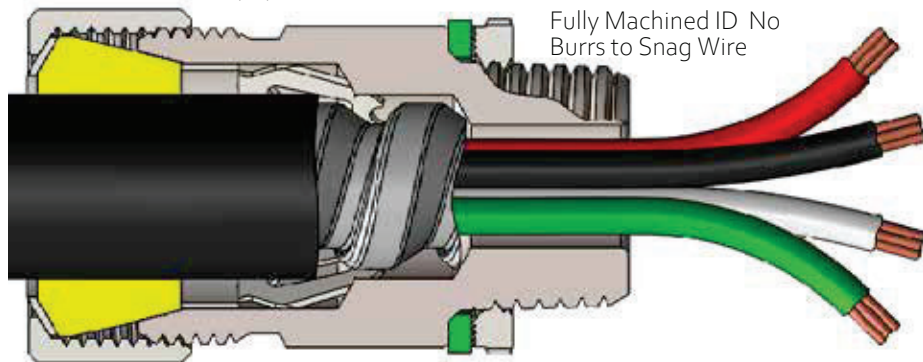
Part Number: TECK50

Application: 1/2" Mini Split Connector Fitting
Quickly and easily ground your shielded 14-4 mini split cable. Strongest and most durable fitting on the market today



Most times there is no need to disassemble fitting to install. The grommet factory installed is based on the most popular cable size.

Furnished with Color Coded Sized Grommets to Precisely Fit Your Cord



Fully Machined ID No Burrs to Snag Wire

The STRONGEST & MOST Durable AC MC Connector Made, Twice the Strength and Durability of ALL Die Cast & Malleable Iron Fittings

Alloy Steel Fully Machined Compression Nut Domed Top to Shed Liquids

Seals Tight & Right



Fully Machined Solid Alloy Steel Body

Steel Compression Ring and Santoprene Grommet

Unique Precise Grounding Ring Grabs and Retains With Strength Armored Cord

Furnished with Sealing Washer and Our HDI Locknut

Compliances:

Certified Made in the USA
UL 514B, 467
NEMA Standard FB1
Rated NEMA Types 2, 3, 3R, 3, 4X, 5, 12, 13
NEC: Class I, Division 2
Class II, Divisions 1 and 2; Class III, Divisions 1 and 2 Federal Standard A-A-50553
UL Rated for Wet Locations Guaranteed to Seal Out Liquids, Contaminants & Ingress of Other Fluids
Suitable for Direct Burial
CSA Standard: C22.2 No. 18F
RoHS Compliant
REACH Compliant
CA Prop 65 Compliant
UNSPSC 39121419



Features:

* Galvanized Plating Option is Available, Consult Factory

Grommet Material is Santoprene UL TPV 94VO Rating FDA Approved; UV Resistant UL (f1) Rated

Solid Alloy Steel Construction Fully Precision Machined Provides Full Torque Values to Avoid Conduit Pullout and Maintains Full Grounding

Water Tight and Liquid Tight Suitable for Direct Burial Applications Suitable for Steel or Aluminum Cables